



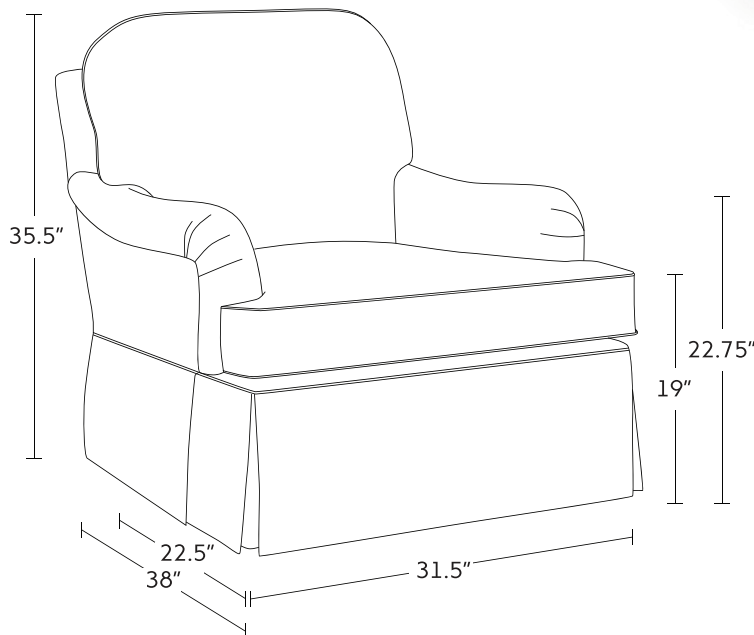
14309

TESSA CLUB CHAIR

Solid and inviting, this club chair design will provide years of comfortable memories. Like all Vogel chairs, it's handcrafted with top-quality materials, from frame to filling and your choice of covering. The upholstery is meticulously finished with fine touches like pleating and piping that will ensure your chair stands the test of time. Finish off your all-time favorite lounging chair by ordering a matching ottoman.

FEATURES

- Arm caps available upon request
- Standard with Dacron-filled back pillow
- Available as skirted or banded. Please specify on your PO.



MORE FROM THE TESSA COLLECTION



14109



14209



14709

HAVE IT YOUR WAY

Choose from a wide selection of:

- Covers
- Nail head trim
- Wood finishes
- Choose between skirted or banded